



Feature

1. Superior operational feeling free from gaps in operating directions
Ideal for finger-tip operation.
2. Integrated tact switch for selection contributes to the improvement of user-friendliness of the set.
3. Long Life Type Available.

FJN10K Series Joystick Potentiometer

Electrical characteristics

- Total Resistance.....5K Ω ~100K Ω
- Total Resistance Tolerance..... $\pm 20\%$
- Resistance Taper.....B taper
- Rated Power.....Taper B:0.0125W
- Withstand Voltage.....1 minute at AC 250V
- Insulation Resistance.....More than 100M Ω at DC 250V for 1 minute
- Max. Operating Voltage.....Taper B:AC 50V or DC 5.0V

Mechanical characteristics

- Figure of Lever Operation.....Circular Operating
- Stopper Strength3.1Kgf.cm Min 3Sec.
- Operating Angle of Lever..... $60^\circ \pm 6^\circ$
- Push-Pull Strength.....Push/Pull:5.0Kgf Min 3Sec.
- Operating Force.....160 \pm 40gf.cm
- Accuracy of Rest Position..... $\pm 5^\circ$

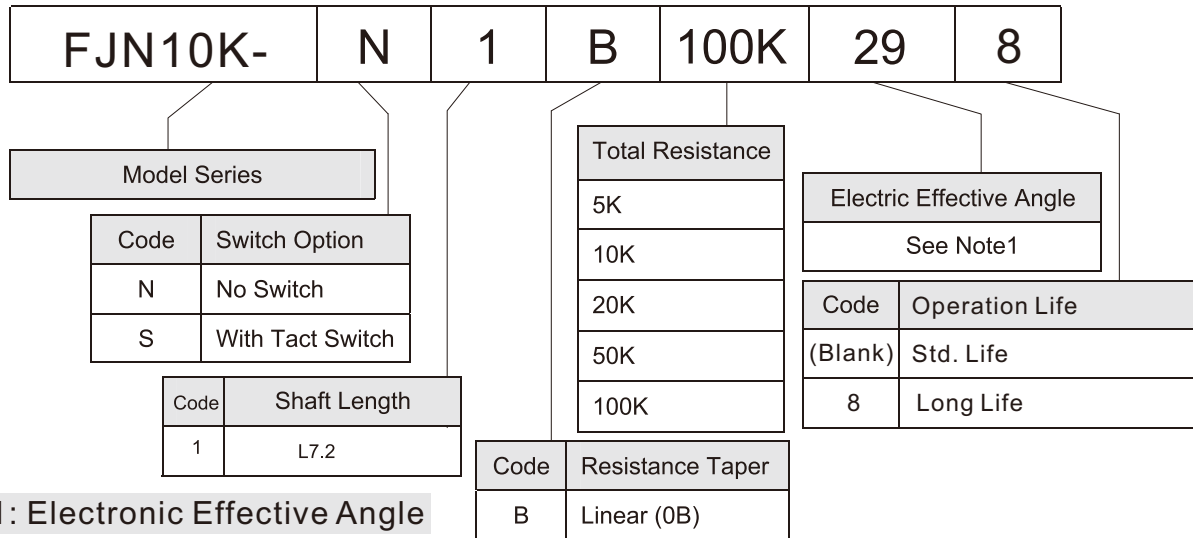
Durability

- Operating Life.....Standard Life: 1Million Cycles min
Long Life: 2 Million Cycles min
- Operating Temperature Range..... $-10^\circ\text{C} \sim +70^\circ\text{C}$

Tact Switch specification

- Ratings.....12 V DC, 50 mA
- Operating Force..... 820 ± 260 gf
- Travel.....0.5+0.5/-0.4mm
- Operating Life.....100,000Cycles min

HOW TO ORDER

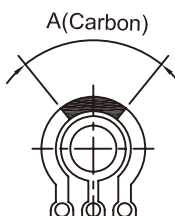
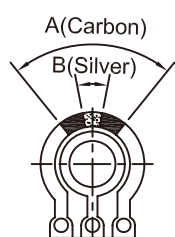
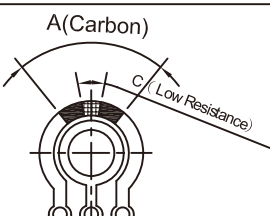


Note 1: Electronic Effective Angle

ANGLE A	Code	ANGLE A	Code	ANGLE A	Code	ANGLE A	Code
15°	e5	45°	B5				
20°	d0	50°	C0				
25°	d5	53°	C3				
28°	d8	55°	C5				
30°	A0	60°	D0				
32°	A2	65°	D5				
35°	A5						
38°	A8						
40°	B0						

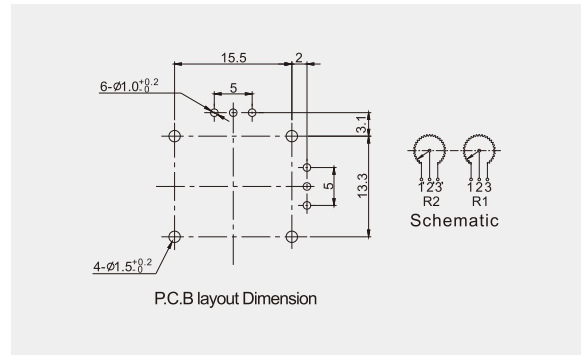
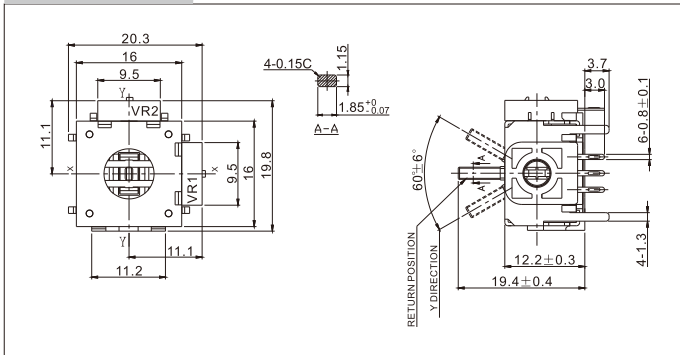
ANGLE A	ANGLE B	Code	ANGLE A	ANGLE B	Code	ANGLE A	ANGLE B	Code	ANGLE A	ANGLE B	Code
60°	6°	01	30°	6°	11	40°	6°	20	45°	8°	48
38°	6°	03	50°	8°	12	25°	12°	22	32°	8°	51
38°	8°	04	85°	8°	13	35°	6°	26	20°	6°	52
50°	6°	05	100°	8°	14	40°	3°	30	45°	10°	55
53°	6°	06	80°	10°	15	147°	3°	32	48 ⁺⁰ ₋₃	6°	56
45°	3°	07	60°	10°	16	70°	6°	33	45°	6°	73
32°	3°	08	25°	6°	17	28°	6°	34	46°	8°	74
53°	8°	09	50°	3°	18	35°	8°	35			
45°	5°	10	45°	15°	19	42°	8°	44			

ANGLE A	ANGLE C	Code	ANGLE A	ANGLE C	Code	ANGLE A	ANGLE C	Code	ANGLE A	ANGLE C	Code
45°	12°	25	35°	8°	38	45°	10°	54	53°	12°	64
38°	8°	27	50°	6°	42	35°	5°	60			
45°	5°	28	40°	6°	43	54°	6°	59			
60°	5°	29	53°	10°	47	60°	10°	66			
40°	12°	31	30°	8°	53	32°	6°	71			

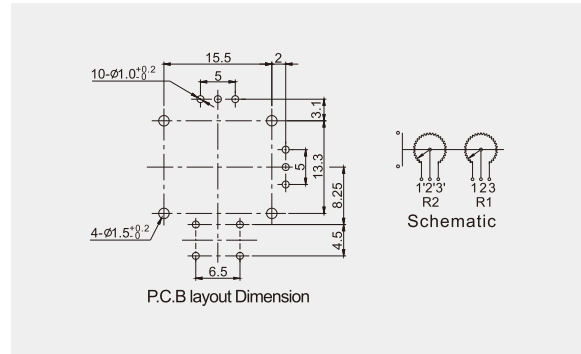
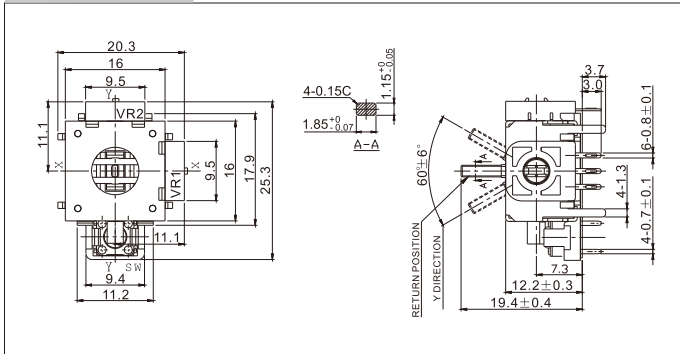




碳膜层 (Carbon)	硫化层 (Anti-Sulfurated)	银层 (Silver)	低碳层 (Low Resistance)
--------------	-----------------------	-------------	----------------------

FJN10K-N1 Metal Shaft, No Switch, PC Pins



FJN10K-S1 Metal Shaft with Tact Switch, PC Pins



Joystick